

8 Series - Screw Terminal Relay

1 - 4 Poles, 30 - 40 Amp



The 8 series is a general purpose power relay. It is base mounted with screw terminals, front connected, and has 600 volt spacing. The 8 series is supplied with continuous duty coils, and is suitable for applications ranging from supervisory and interlocking functions to control of small motors, heaters, solenoids or for transferring power from a main auxiliary supply or load.

GENERAL SPECIFICATIONS (@ 25° C)

Contacts:

Contact Configuration	Up to 3PDT
Contact Material	Silver
Contact Rating	
120 / 240VAC Resistive	30 Amp
28VDC Resistive	30 Amp
Contact Resistance, Initial	50 milliohms max @ 6VDC

Coil:

Coils Available	AC and DC
Nominal Coil Power	15VA 7W
Input Voltage Tolerance - AC	85% to 110% of nominal
Input Voltage Tolerance - DC	80% to 110% of nominal
Drop-out voltage	10% of nominal
Duty	Continuous

Timing:

Operate Time (max)	50ms
Release Time (max)	30ms

Dielectric Strength:

Across Open Contacts	1500 VRMS
Between Mutually Insulated Points	2200 VRMS
Insulation Resistance	1000 megohms @ 500VAC

Temperature:

Operating	-45 to 65°C (-49 to 149°F)
Storage	-40 to 105°C (-40 to 221°F)

Life Expectancy:

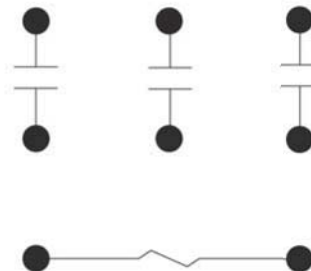
Electrical (full load operations)	100,000
Mechanical (no load operations)	500,000

Miscellaneous:

Mounting Position	Any
Enclosure	Open
Weight	16.8oz (476 grams)



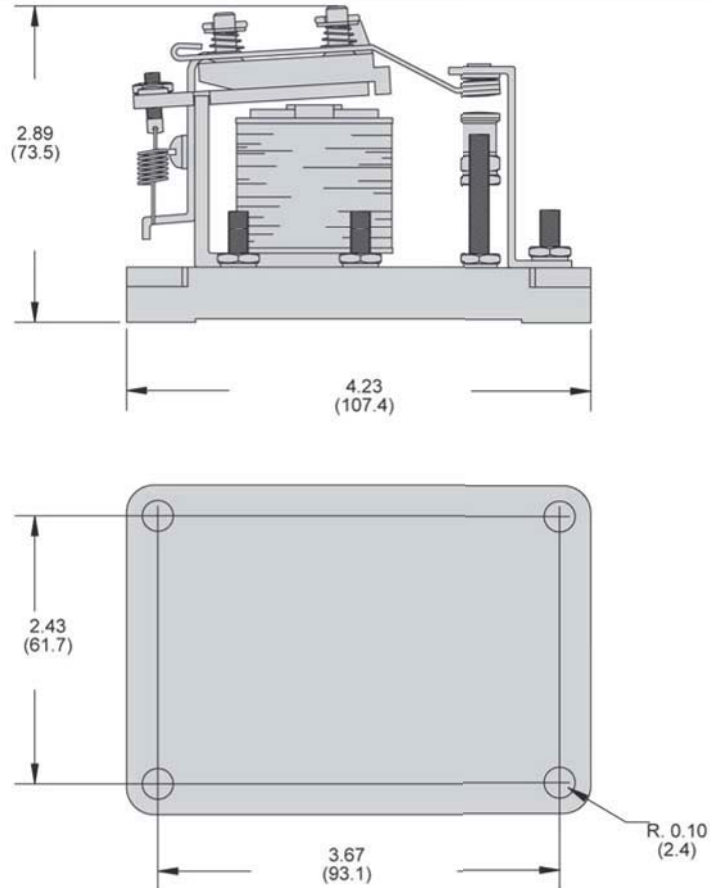
8 Wire Diagram
(CXX Shown)



Power Relays

30 - 300 Amp

Max Outline Dimensions
Dimensions shown in inches & (millimeters)



Coil Data

Voltage	DC Coils	60hz AC Coils
	Resistance ohms 7 Watts	Impedance ohms 15VA
12	15	9
24	60	38
120	1475	900
208	-	2700
240	6000	3300
440	-	14700
550	-	22000

Note: Other coils available on special order, including coils for connection in series with loads up to 30 Amps

Ordering Code **8** **CXX** **46** **-120VAC**

Series
8

Contact Arrangement

- AXA (1 N.O. - 1 N.C.)
- BXX (2 N.O.)
- CXX (3 N.O.)
- XAX (SPDT)
- XXA (1 N.C.)
- DXX (4PST - N.O.)

Continuous Duty Coils

Coil Voltage

AC: 12, 24, 120, 208 (Add VAC)
DC: 12, 24, 120, 240 (Add VDC)

Coil Specifications

Volts	Double Break Contacts			Single Break Contacts		
	24V	120V	240V	24V	120V	240V
AC (Amps)	30	30	30	30	30	30
DC (Amps)	30	6	3	30	3	0.75

Coil voltages and frequencies must be specified